

ECN #	APPRVD.	DATE
	PJO	01OCT08

SAFETY ORGANIZATIONS

THIS CONNECTOR HAS BEEN FORMALLY RECOGNIZED, CERTIFIED OR APPROVED BY THE LISTED AGENCY. THEREFORE, ALL TEST/REQUIREMENTS SPECIFIED IN THE LATEST REVISION OF THE FOLLOWING AGENCY STANDARDS HAVE BEEN MET:

UL RECOGNIZED: UL 1977  
 CSA CERTIFIED: CSA 182.3 (THROUGH U.L.)  
 TUV CERTIFIED: EN 61984

OPERATING SPECIFICATIONS

LINE CURRENT/VOLTAGE: 60 AMP, 300 VAC  
 60 AMP, 300 VDC

LINE FREQUENCY: 0-60Hz

OPERATING AMBIENT TEMP. RANGE: -10°C TO +55°C @ RATED CURRENT, I<sub>r</sub>.

IN AN AMBIENT, T<sub>a</sub>, HIGHER THAN 55°C, THE MAXIMUM OPERATING CURRENT, I<sub>o</sub>, IS AS FOLLOWS:

$$I_o = I_r \sqrt{\frac{105 - T_a}{50}}$$

RELIABILITY SPECIFICATIONS:

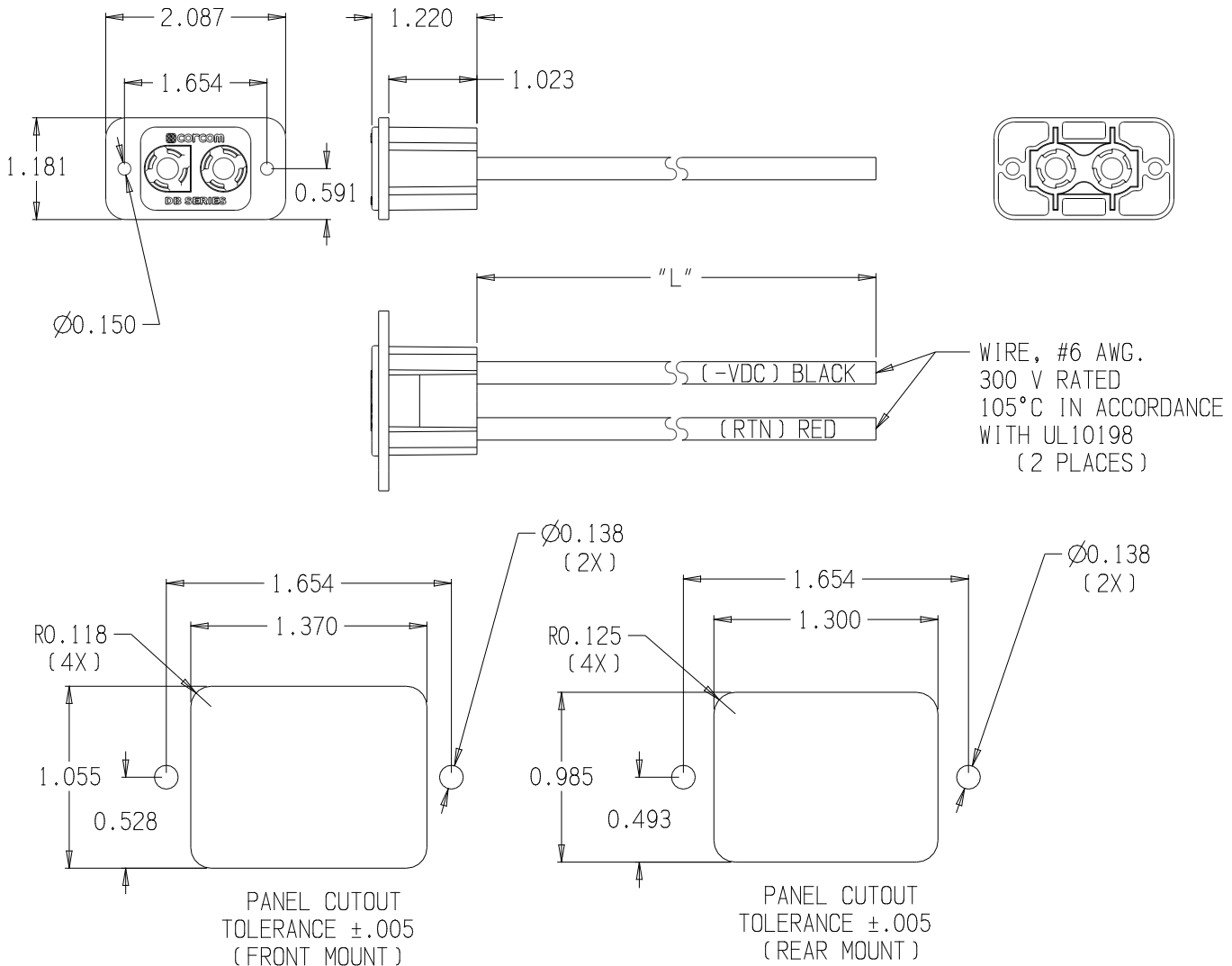
STORAGE TEMPERATURE: -40°C TO +85°C  
 HUMIDITY: 21 DAYS @ 40°C 95% RH.  
 CURRENT OVERLOAD TEST: 6 TIMES I<sub>r</sub> FOR 8 SECONDS

RECOMMENDED RECEIVING INSPECTION HIPOT:

LINE TO LINE: 1600 VAC FOR 1 MINUTE

NOT RECOMMENDED FOR HOT SWAP APPLICATIONS

NOT RECOMMENDED FOR CURRENT INTERRUPTING



PARTS SHALL COMPLY WITH TYCO ELECTRONICS 230-702 SPECIFICATION FOR HAZARDOUS SUBSTANCES

UNLESS OTHERWISE SPECIFIED  
 TOLERANCE TO BE ±0.025  
 MATERIAL & FINISH: AS SUPPLIED



CORCOM PRODUCTS, 620 S. BUTTERFIELD RD., MANDELEIN IL 60060

60 DB SERIES RECEPTACLE  
 WITH 6 AWG CABLE

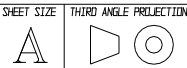
TYCO ELECTRONICS PART NO. SEE CHART

CATALOG DESIGNATION	T.E.PN	CABLE LENGTH "L" (IN) MIN.
60DBRL1	6-1609075-4	12.0
60DBRL3	6-1609075-5	36.0

NOTES:

CVM AVAILABLE	YES	NO

SCALE: .5:1	DATE: 01OCT08	DRAWING NUMBER:	REV.
DRW. BY: SD	DRGT: PJO	60 DBRL SERIES	0



THIS INFORMATION IS CONFIDENTIAL AND PROPRIETARY TO TYCO ELECTRONICS CORPORATION AND ITS WORLDWIDE SUBSIDIARIES AND AFFILIATES. IT MAY NOT BE DISCLOSED TO ANYONE OTHER THAN TYCO ELECTRONICS PERSONNEL, WITHOUT WRITTEN AUTHORIZATION FROM TYCO ELECTRONICS CORPORATION.  
 HARRISBURG, PENNSYLVANIA USA.